



Switch

LELCONNECT Smart 4-Keys AC Switch



Product Overview

LELCONNECT Smart 4-Keys AC Switch, is an AC powered 4 button switch. It has a built-in Bluetooth module that enables it to communicate with other devices in the mesh network. It can be custom configured using LELCONNECT Controls mobile app to control the brightness, color temperature of the light source and invoke scene through buttons.

The LELCONNECT ecosystem comprises controllers, sensors, switches, modules, drivers, gateways, and analytical dashboards. The ecosystem is listed by the Design Lights Consortium (DLC), qualifying it for energy conservation incentive programs and rebates by utility companies.

Features

- 4 button any point configuration function
- Simple and classic sophisticated look
- Personalized engraving service
- Distributed network communication based on BLE 5.2
- Zero downtime Over-the-Air firmware update
- Match the number of intelligent products to form a more perfect intelligent network web, mobile or tablet app control

Specifications

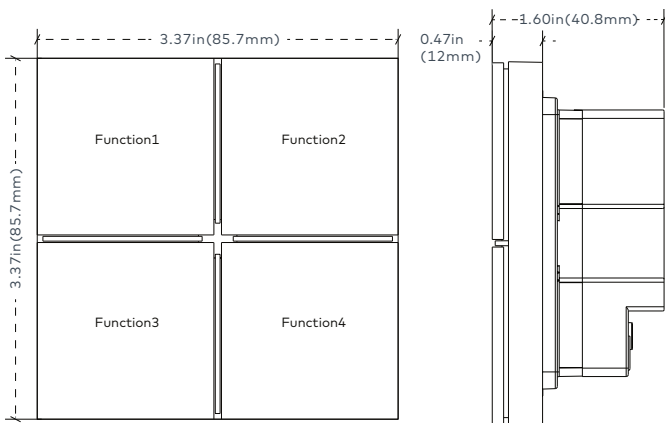
Electrical

Specifications	Value
Input voltage	220-240VAC
Frequency	50-60Hz
Standby power consumption	<2W

Bluetooth

Specifications	Value
Frequency range	2402-2480MHz
Transmit power	8dBm
Accept power	-95dBm

Product Dimensions



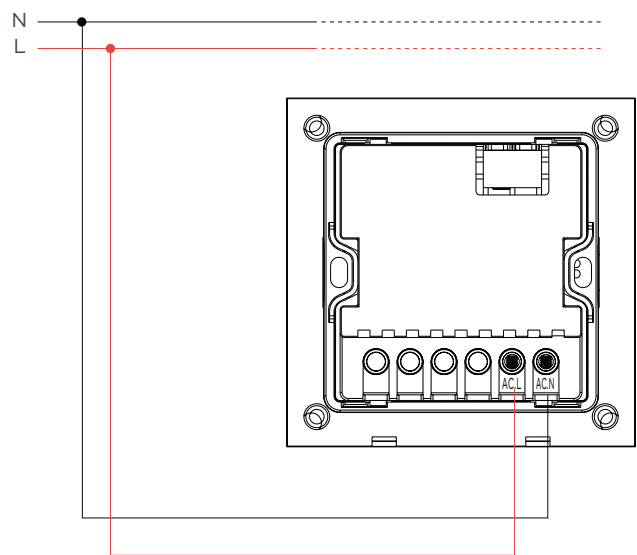
Environmental

Specifications	Value
Working temperature	-20 to 55°C (-4 to 131°F)
Storage humidity	20% to 95%

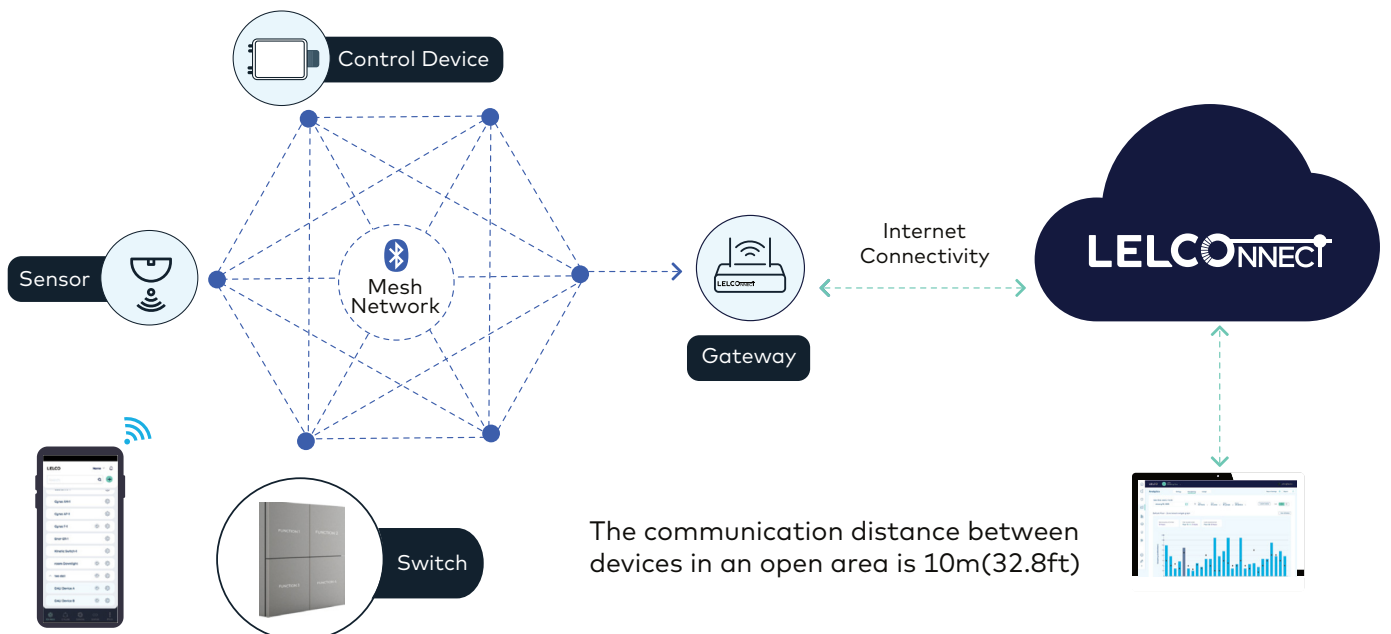
Mechanical

Specifications	Value	Remarks
Weight	114g(4.02oz)	
Size	85.7 x 85.7 x 40.8mm (3.37 x 3.37 x 1.60in)	L x W x H

Connection Methods



Smart Ecosystem



Application



Smart 4-Keys AC Switch

Order Information

Product Name	Product Code	Product Description	Communication	Material	Color Options
Smart 4-Keys AC Switch	LEL-SA4BFM-BK LEL-SA4BFM-GD LEL-SA4BFM-DG	Wireless AC-Powered 4 Button Switch	BLE5.2	Full Metal (FM)	● Black (BK)
	LEL-SA4BPC-BK LEL-SA4BPC-GD LEL-SA4BPC-DG			Plastic (PC)	● Gold (GD)
	LEL-SA4BMP-BK LEL-SA4BMP-GD LEL-SA4BMP-DG			Metal Trim, Plastic Keys (MP)	● Deep Grey (DG)

The Bluetooth® word mark and logos are registered trademarks owned by Bluetooth SIG, Inc. and any use of such marks by Lelco is under license. Other trademarks and trade names are those of their respective owners.



Lelco Building

Tomang Raya No. 14
Jakarta 11430
Indonesia

www.lelcogroup.com/lelconnect
P. (021) 56964528
E. marketing@lelco.co.id